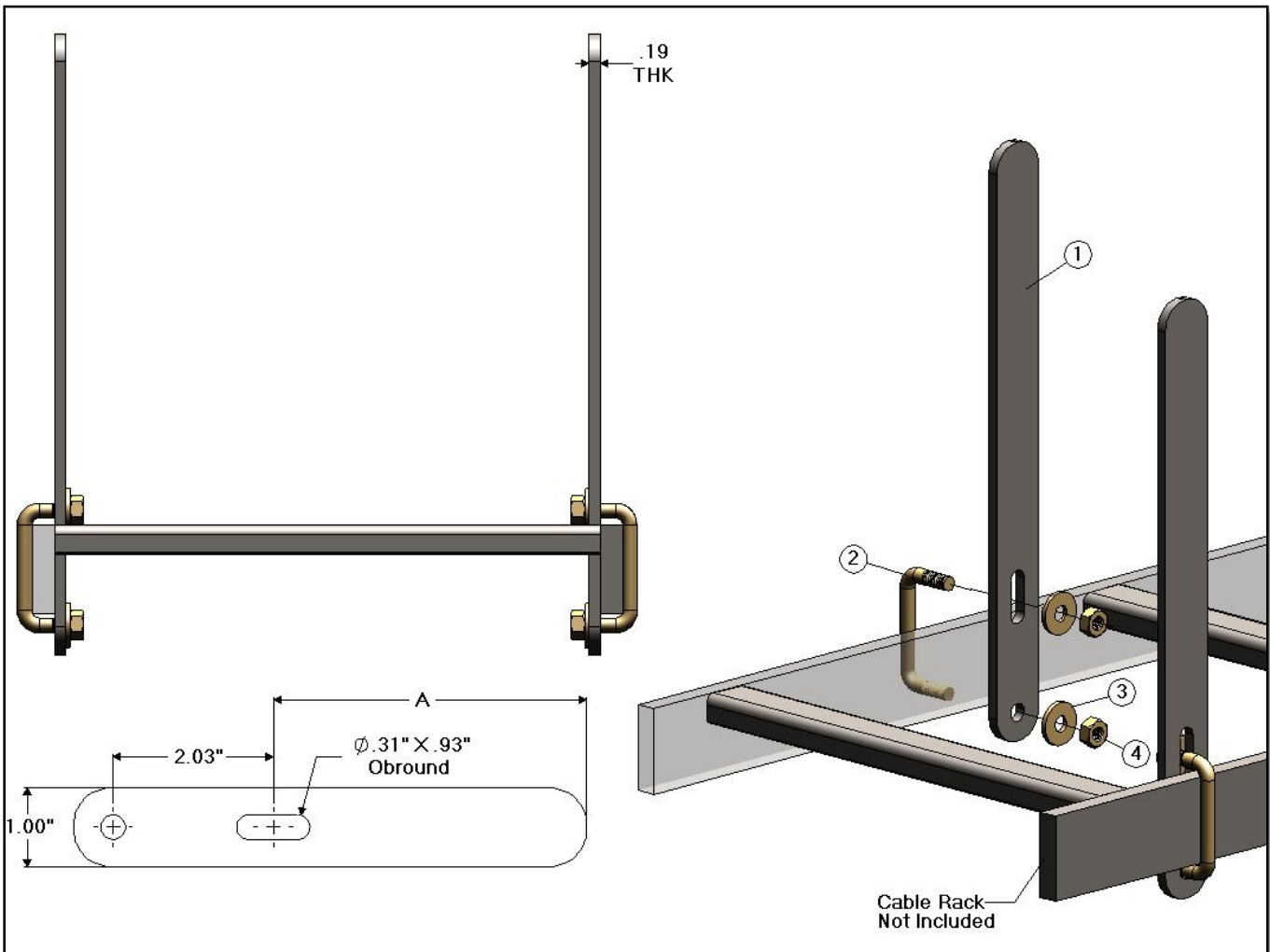


HRN Series - Horn Bar Kits



1.50" Cable Rack Stringer Kit - K1			
ITEM	CSF P/N#	Description	QTY
1	HRNxx	Bar Type Horn	1
2	UBS141	U-Bolt Square x 1/4-20 Thread	1
3	FW164	1/4" Flat Washer	2
4	HN144	1/4-20 Hex Nut	2

2.00" Cable Rack Stringer Kit - K2			
Item	CSF P/N#	Description	QTY
1	HRNxx	Bar Type Horn	1
2	UBS142	U-Bolt Square x 1/4-20 Thread	1
3	FW164	1/4" Flat Washer	2
4	HN144	1/4-20 Hex Nut	2

HRN Series		
CSF P/N#	A	Description
HRN04xx	4.00"	Bar Type Horn
HRN08xx	8.00"	Bar Type Horn

Notes:

- For 1.50" Kit add "K1", I.E. HRN08K1
- For 2.00" Kit add "K2", I.E. HRN08K2
- Cable Rack - Not Included
- Other sizes available

Specifications subject to change. Please contact CSF Customer Service for more information.